

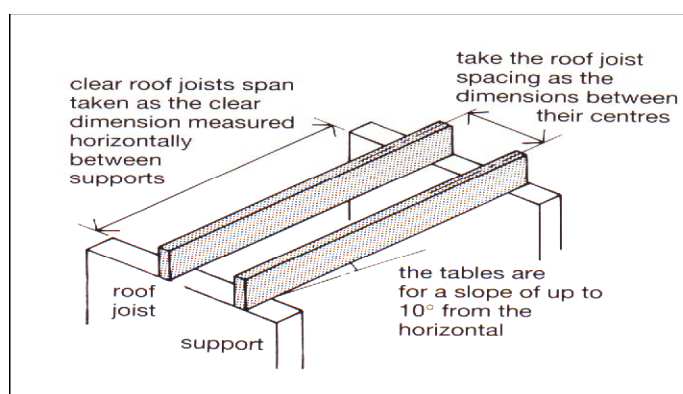
Guidance Note No. 14

Flat Roofs

Timber sizes and
Construction

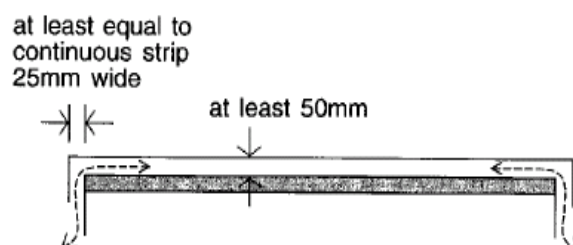
The following tables give details of the allowable spans and spacing for some of the more common timber sizes used in flat roof construction. All figures are based on normal loading conditions found in domestic construction. In any other situation you should refer to TRADA Document *"span tables for solid timber members in floors, ceilings and roofs (excluding trussed rafter roofs) for dwellings"* or ask your Building Control Surveyor for advice.

MAXIMUM CLEAR SPAN OF FLAT ROOF JOISTS IN METRES FOR SC3 TIMBER			
Size of roof joist	Spacing between joists		
	400mm	450mm	600mm
47 x 97	1.84	1.81	1.74
47 x 120	2.43	2.39	2.27
47 x 145	3.08	3.02	2.87
47 x 170	3.75	3.67	3.42
47 x 195	4.41	4.31	3.92
47 x 220	5.04	4.85	4.41
75 x 170	4.50	4.38	3.99
75 x 195	5.19	5.01	4.57
75 x 220	5.84	5.63	5.14



Ventilation details for flat roofs

*** Important note** – For cold roof construction a 50mm airspace is required for ventilation purposes over the insulation, the minimum depth of joist required is usually taken as 175mm even if a lesser depth would be acceptable from a purely structural point of view



(Note – the following insulation thickness would be suitable, 250mm fibreglass, 120mm cellotex or 140mm styrofoam)



FS58945

FS57852



North East Lincolnshire Council

**Building Control,
Environmental Services
Civic Offices, Knoll Street,
Cleethorpes, DN35 8LN**

**Tel: 01472 324227
Fax: 01472 324223
www.nelincs.gov.uk**

East Lindsey District Council

**Building Control
Tedder Hall
Manby Park, Louth
Lincolnshire LN11 8UP**

**Tel: 01507 329545
Fax: 01507 327069
www.e-lindsey.gov.uk**

West Lindsey District Council

**Building Control
The Guildhall
Caskgate Street
Gainsborough
Lincolnshire DN21 2DH**

**Tel: 01427 676672
Fax: 01427 810623
www.west-lindsey.gov.uk**

If you would like to receive this information in another language or in another format, such as large print, Braille or on an audio tape, please contact Administration at either of the offices shown above.

Please note that these guidance notes are for advice only and may not cover all situations. It is your responsibility to ensure that they are appropriate for use in your particular circumstances.